

REVISION			
REV	DESCRIPTION	ECO #	DATE
A	PRODUCTION RELEASE		08/26/2019

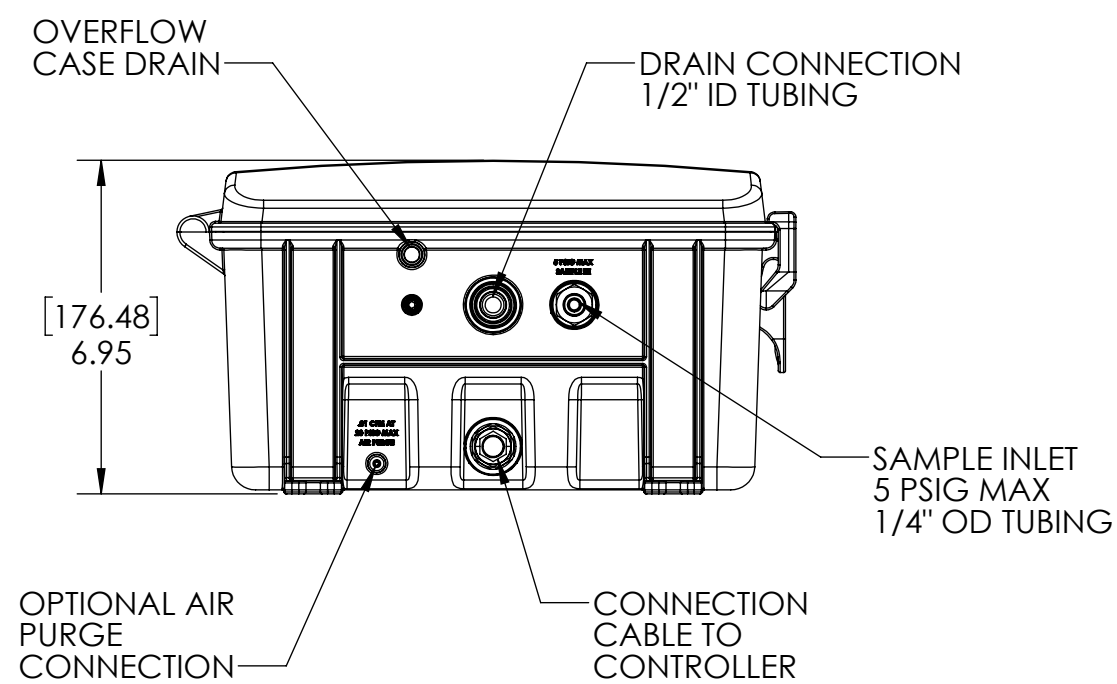
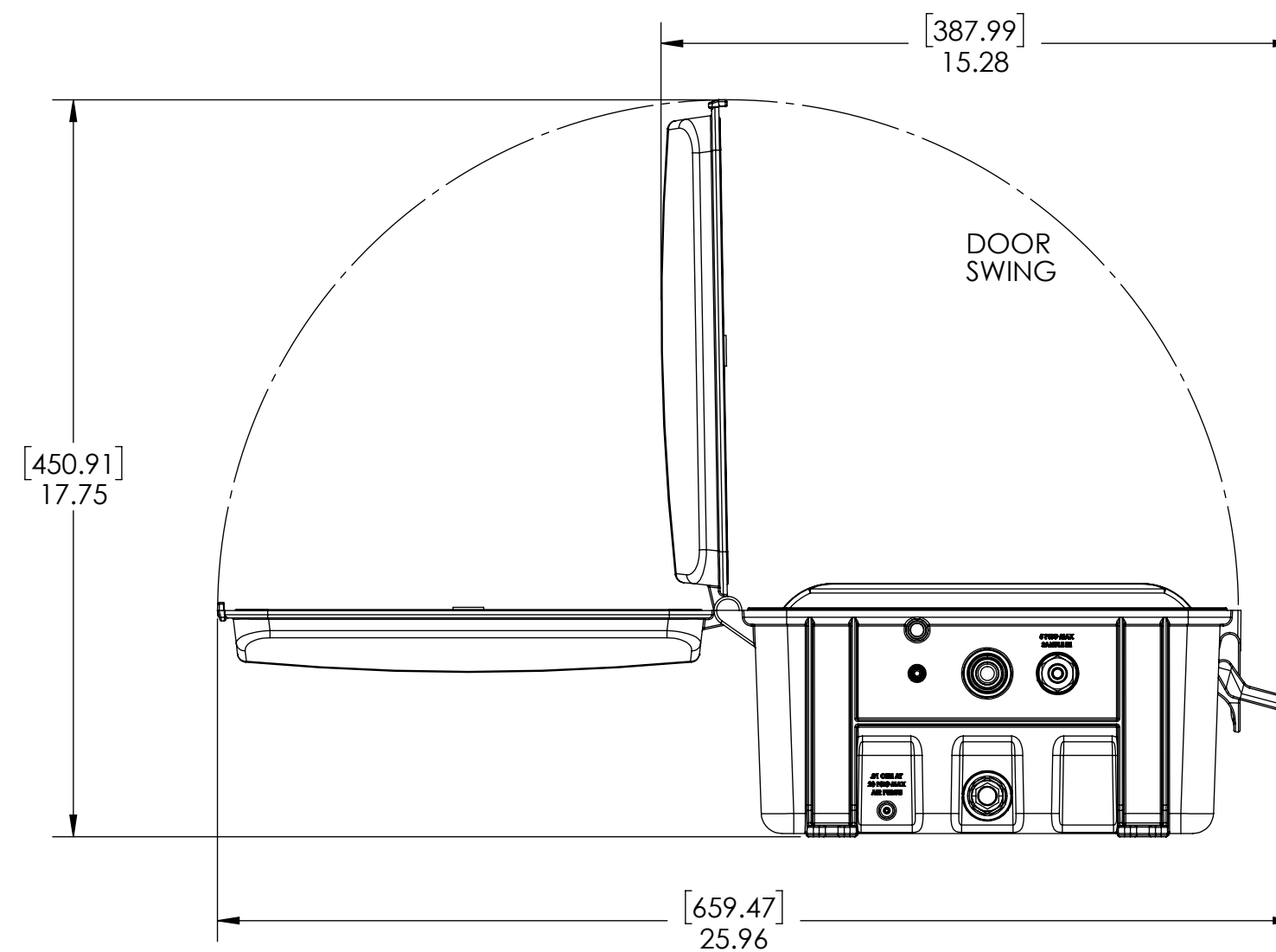
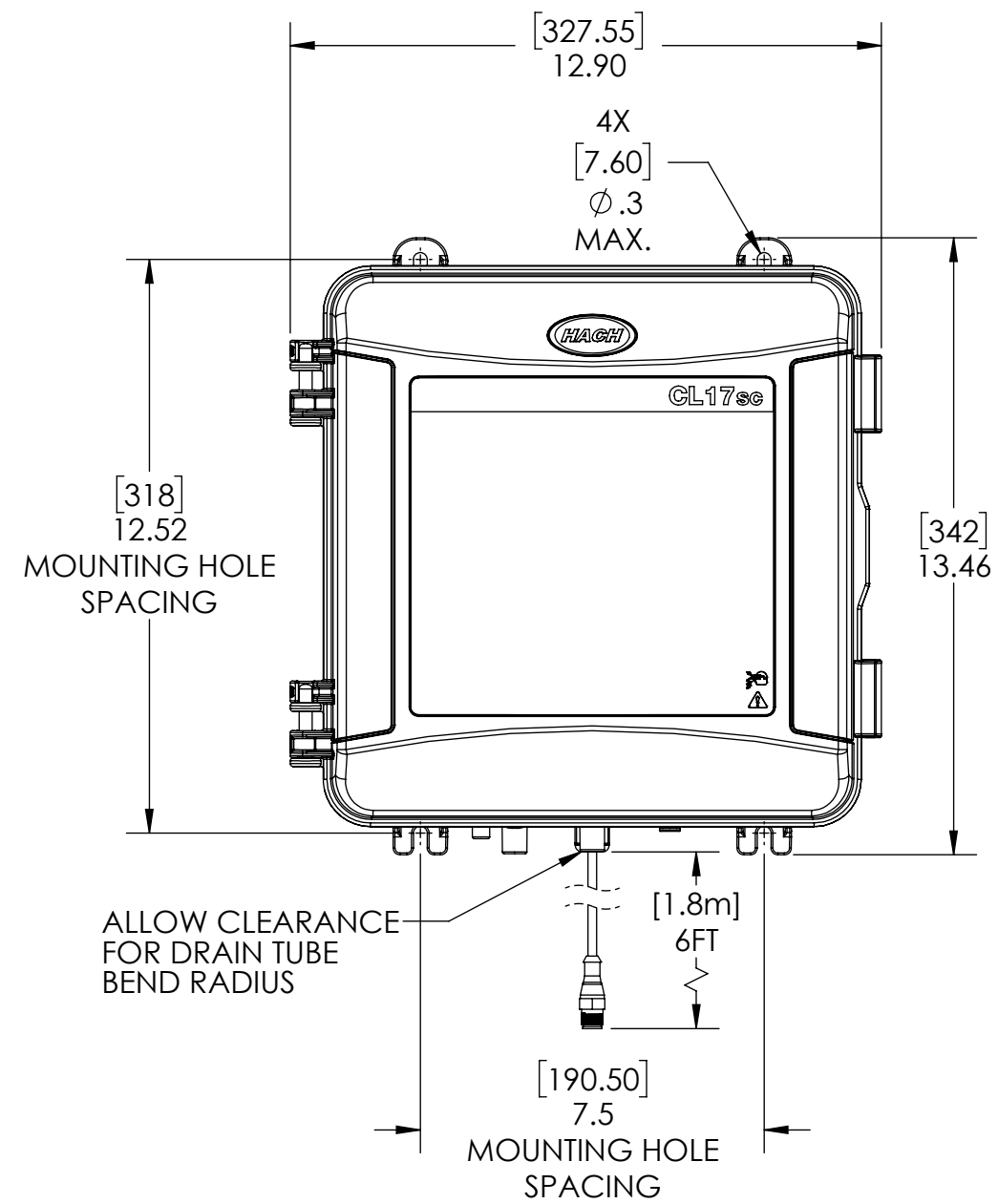
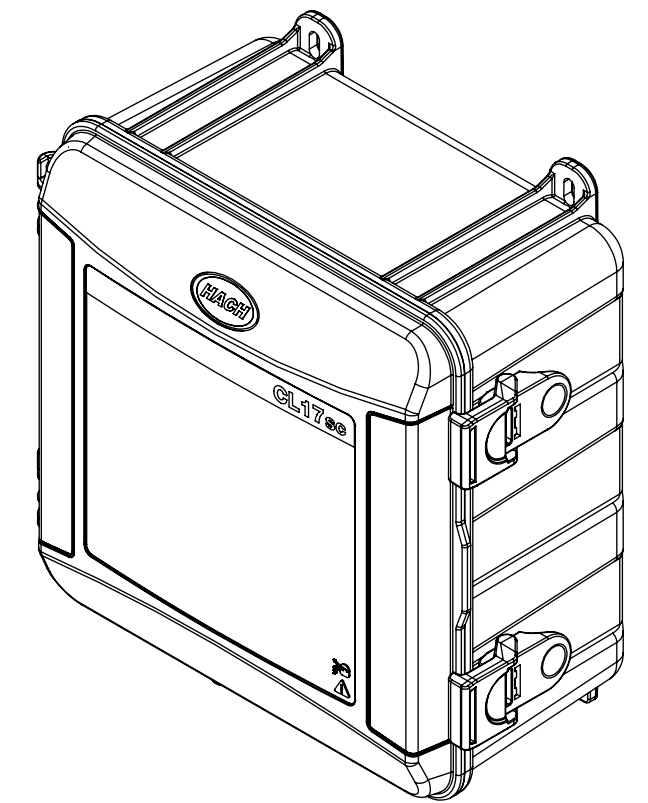
POWER REQUIREMENTS:
PROVIDED BY THE CONTROLLER

TEMPERATURE:
GENERAL USE: 5 TO 40°C (41 TO 104°F)
STORAGE: -40 TO 60°C (-40 TO 140°F)

ENVIRONMENTAL RATING:

- PROTECT FROM DIRECT SUNLIGHT TO PREVENT UV AND THERMAL EXPOSURE.
- IP66, WITH THE DOOR CLOSED AND LATCHED.
- POLLUTION DEGREE: 3
- INSTALLATION CATEGORY: I (INDOOR INSTALLATION)

WEIGHT:
4.1 kg (9 lbs) WITHOUT BOTTLES.



PART CLASSIFICATION MINOR B	THE SOLID CAD FILE IS THE CONTROLLING AUTHORITY FOR PART GEOMETRY		NAME	DATE	HACH COMPANY 5600 LINDBERGH DR. LOVELAND, CO. 80538
	MATERIAL	UNLESS OTHERWISE SPECIFIED: DIMENSIONS ARE IN INCHES [MM]	ENGINEER	R. LUTHER 07/17/2019	
HACH MATERIAL PART NUMBER	TOLERANCES: .X = ±.03 .XX = ±.01 .XXX = ±.005 ANGLES = ±.5°	DRAWN	R. LUTHER	7/17/2019	TITLE: SUBMITTAL DRAWING, CL17sc CHLORINE ANALYZER
NOTICE: HACH COMPANY CLAIMS PROPRIETARY RIGHTS IN THE INFORMATION DISCLOSED ON THIS DRAWING. IT IS ISSUED IN CONFIDENCE FOR ENGINEERING INFORMATION ONLY AND MAY NOT, IN WHOLE OR IN PART, BE USED TO MANUFACTURE ANYTHING, WHETHER OR NOT SHOWN HEREON, REPRODUCED OR DISCLOSED TO ANYONE WITHOUT DIRECT PERMISSION FROM HACH COMPANY.	ALL MOLDED PART FEATURES SHALL BE HELD TO SURFACE PROFILES AS FOLLOWS: .010 FOR FEATURES < 4.0" .020 FOR FEATURES > 4.0" -10.0" .040 FOR FEATURES > 10.0"	CHECKED	G. RONKAINEN	8/13/2019	
		PRODUCTION	URRUTIA, EDWARD	8/26/2019	SCALE: 1:4 SHEET 1 OF 1
		THIRD ANGLE PROJECTION			
		DO NOT SCALE DRAWING			