

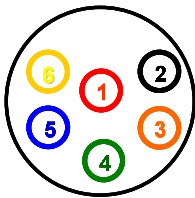
Pigtail Cable with Locking Sleeve

- ◆ 0.6 Meter Pigtail Cable with Locking Sleeve (P/N 2100-750) shown
- ◆ 5 Meter Pigtail Cable with Locking Sleeve (P/N 2100-755)
- ◆ 10 Meter Pigtail Cable with Locking Sleeve (P/N 2100-751)
- ◆ 25 Meter Pigtail Cable with Locking Sleeve (P/N 2100-752)
- ◆ 50 Meter Pigtail Cable with Locking Sleeve (P/N 2100-753)

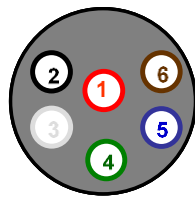


Any of the cables listed above may be used to operate the C-FLUOR.

C-FLUOR Pins and Wire Color

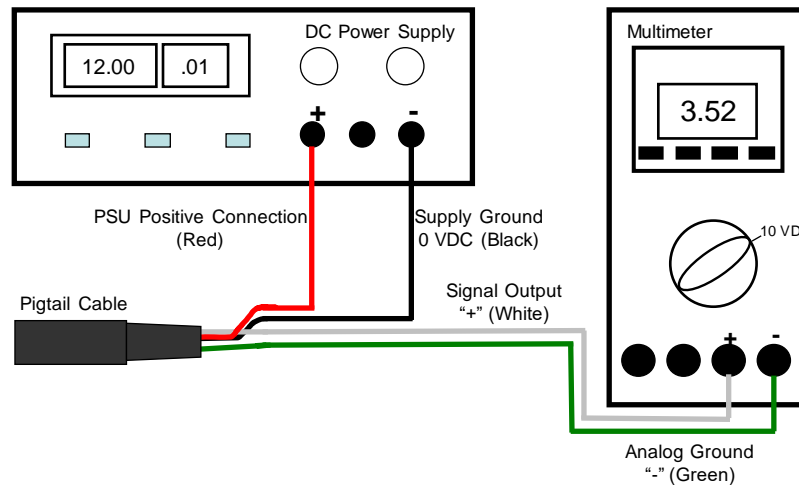


Pigtail Connector and Wire Color



Color	Pin	Function	Connection
Red	1	Supply Voltage 3-15 VDC	PSU – Positive Connection
Black	2	Supply Ground 0 VDC	PSU – Ground Connection
White	3	Signal Out to data logger, "+", 0-5 VDC	Positive Connection
Green	4	Analog Ground, "-", 0 VDC	Negative Connection – Analog Ground

Note: Pins 5 and 6 are not used.



RS-232 Programming Kit P/N 2120-900

This cable is sold as an optional accessory for the Digital C-FLUOR. It includes RS-232 Programming cable P/N 2120-160 and 12-volt power supply P/N 7000-941. It is used for setup and programming of the Digital C-FLUOR.

12V Power Supply



RS-232 Programming Cable

